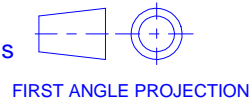


# PUBLICATION P12.116

ISSUE : 2

If this document is printed in hardcopy, it is for information use only and therefore is not subject to updating controls. Always refer to viewer for latest issue.



THIS DRAWING IS CONFIDENTIAL AND IS SUPPLIED ON THE EXPRESS CONDITION THAT IT SHALL NOT BE LOANED OR COPIED OR DISCLOSED TO ANY OTHER PERSON OR USED FOR ANY OTHER PURPOSE WITHOUT THE WRITTEN CONSENT OF AP RACING LTD.

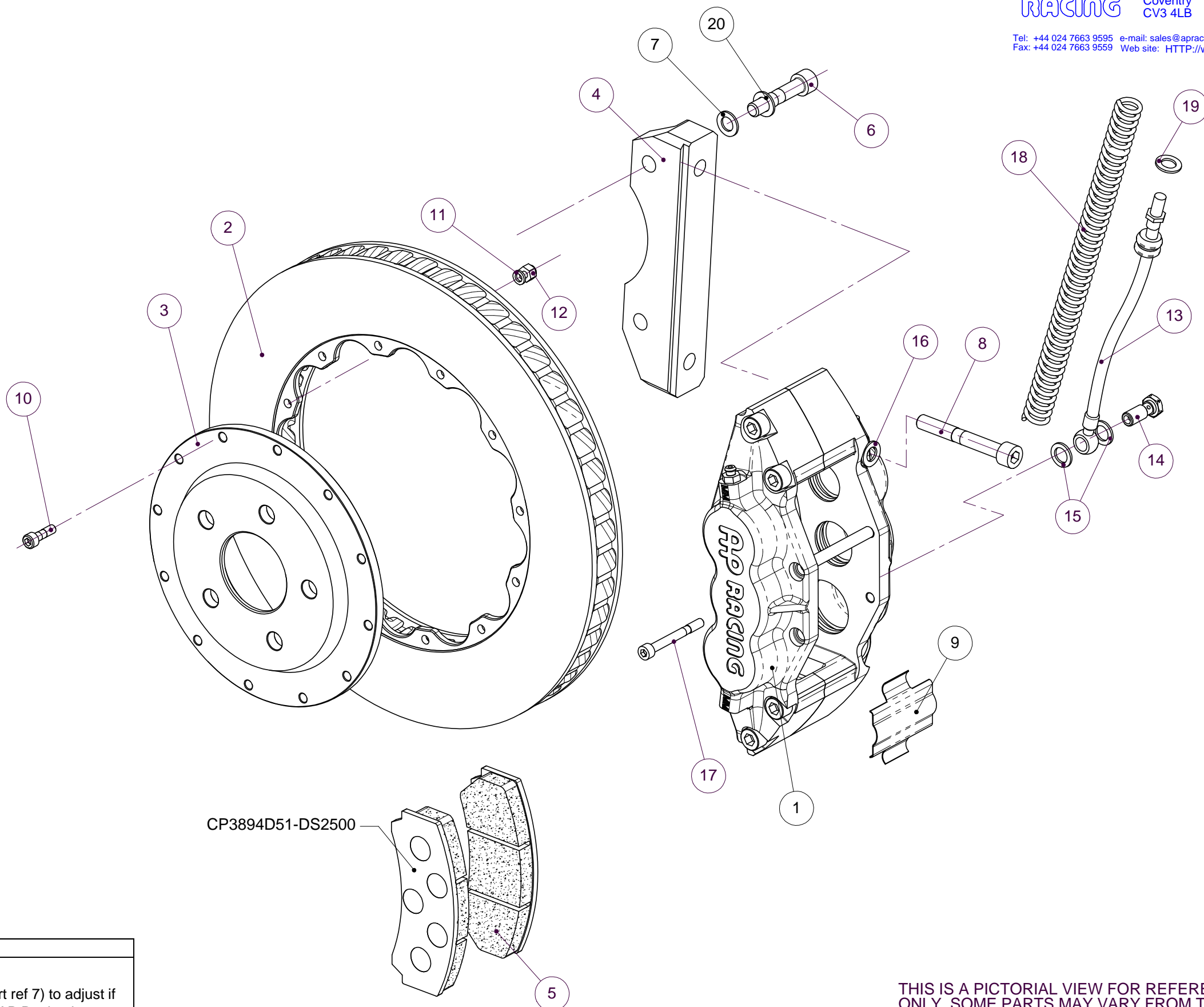


Tel: +44 024 7663 9595 e-mail: sales@ap racing.co.uk  
Fax: +44 024 7663 9559 Web site: HTTP://www.ap racing.com

BMW M3 SERIES E46 KIT NUMBER CP5555-1037		
Ref	Description	QTY
1	Caliper Right Hand	1
	Caliper Left Hand	1
2	Disc Right Hand	1
	Disc Left Hand	1
3	Mounting Bell	2
4	Mounting Bracket	2
5	Pad Set	1
6	Bracket Mtg Bolt	4
7	0.5 mm Washer/Shim	12
8	Caliper Mtg Bolt	4
9	Anti-Rattle Clip	2
10	Disc Mtg Bolt	24
11	Washer	24
12	Disc Mtg Nut	24
13	Hose Kit	2
14	Banjo	2
15	Gasket	4
16	Washer	4
17	Pad Retainer Bolt	2
18	Nylon Armouring	2
19	Hose Location Washer	2
20	Washer	2
21		
22		
23		
24		
25		

Tightening Torques	
Part Ref #	Torque
Bolt Ref 8	58NM
Bolt/Nut Ref 10/12	14NM
Bolt Ref 14	25NM
Banjo Bolt Ref 17	13NM
Caliper Bleed Screw	17NM



CP3894D51-DS2500

BRAKE DISC WEAR	
NEW	MIN WORN
31.75mm	30.75mm

Comments

Check caliper is central over disc, Use 0.5mm shims (Part ref 7) to adjust if required. Use the original BMW grommet to locate the AP Racing hose

PLEASE RETAIN THIS SHEET FOR FUTURE REFERENCE

THIS IS A PICTORIAL VIEW FOR REFERENCE ONLY. SOME PARTS MAY VARY FROM THOSE SUPPLIED. AP RACING RESERVE THE RIGHT TO CHANGE COMPONENTS WITHOUT PRIOR NOTICE.

DRAWN : astrachan